

# RF MUSIC CONTROLLER FOR RGB LED LIGHTING

Model RGBRF12MC

## DESCRIPTION

RGBRF12MC is a RF music controller for RGB LED lighting. It has a microphone whose sensitivity can be adjusted. The controller changes the colors of the RGB strip connected to it to the beat of the music. There are 3 dynamic programs, 9 static colors and 3 music programs.

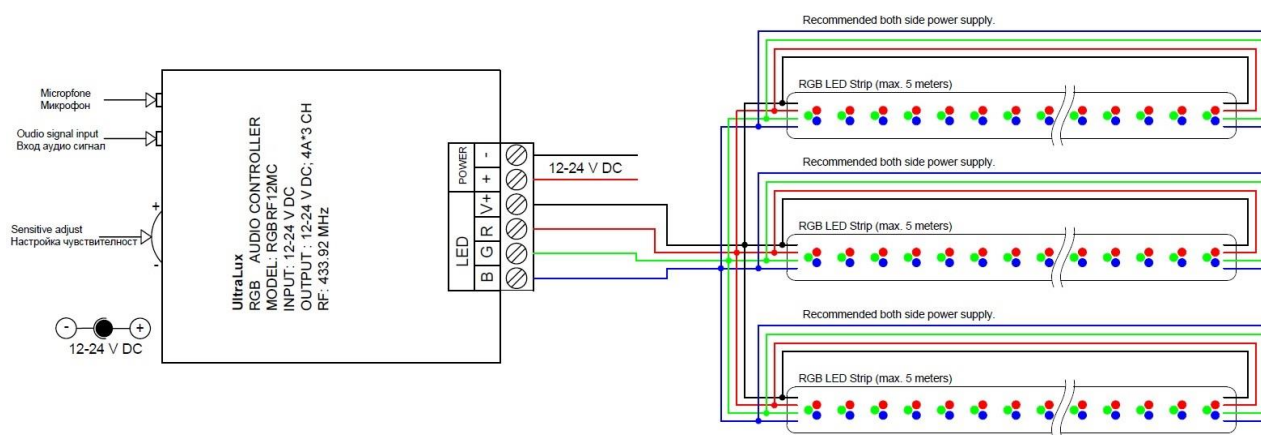
## TECHNICAL DETAILS

- **Input/ Output voltage:** 12-24 V DC
- **Maximum output power:** 144W (12 V DC), 288W (24 V DC)
- **Maximum output current:** 3x4 A
- **IP rate:** IP20
- **Remote distance:** max. 20 m
- **Dimensions:** 108/ 63/ 28 mm
- **Working temperature:** -10° C ÷ +40 ° C
- **Warranty:** 2 years
- **Power supply connector 5.5 x 2.1 mm**

## READ THE INSTRUCTIONS BEFORE MOUNTING OR REPLACEMENT

- Performing any activity with the power supply on constitutes potential hazard of electric shock. Prior to mounting, power supply must be switched off by using the main switch!
- The controller may only be connected to a properly functioning electrical system with compliance with the applicable standards. Activities related to connection to the power supply are to be commissioned to a person with appropriate authorization. The mounting must be performed in accordance to the scheme provided.
- The importer/supplier bears no responsibility for damages resulting from failure to comply with these instructions.

## WIRING DIAGRAM



### NOTE:

Two power supply connectors are options, choose one of them by your convenience.

## BUTTONS DESCRIPTION

Adopt RF wireless control method, 18 keys in total, function of each button as below:

Static white (4 levels)			on/off
Static red (4 levels)	Static green (4 levels)	Static blue (4 levels)	Static sunlight (4 levels)
Static orange (4 levels)	Static yellow (4 levels)	Static cyan (4 levels)	Static purple (4 levels)
FLASH	BLOOM	SMOOTH	Speed/Sensitivity+
Sound control I (FT)	Sound control II (MT)	Sound control III (CT)	Speed/Sensitivity-

## **MARK:**

1. All static modes are adjustable, press the color button one time, the brightness changes one level in circle, 4 levels (100%, 50%, 25%, 12% and 6%);
2. S+ /S- means speed adjust key for the dynamic functions, and means sensitivity adjust key for the music functions;
3. Sound control I (FT) - fast track, Sound control II (MT) - my track, Sound control III (CT) - cool track; different button for different music and different mode;

## **MATCHING CODE OPERATION**

Receiver can be controlled by any one the same remote as factory default; remote control delivered with unique RF code as factory default. If unique-control or new-coded-remote is needed, pairing the remote and the receiver as below operation instruction before using:

1. Pressing key "FLASH" and hold on, power on the controller, the load LEDs will be 50% brightness white as responding;
2. Pressing "FLASH" 3 times in 3 seconds, corresponding to the operation, the LED's brightness will change as 25%-10%-back to preset level;
3. Code learning successfully, the receiver only can be controlled by the remote;
4. If not, please re-operate from step 1 to 2;

## **CLEAR CODE OPERATION**

Back to factory default, receiver can be controlled by any one the same remote control:

1. Pressing key "BLOOM" and hold on, power on the controller, the load LEDs will be 50% brightness white as responding;
2. Pressing "BLOOM" 3 times in 3 seconds, corresponding to the operation, the LED's brightness will change as 25%-10%-back to preset level;
3. Code clearing successfully, the LEDs will be back to the status before the power off, and the receiver can be controlled by any remote control (any one the same remote control can be used to clear the code);
4. If not, please re-operate from step 1 to 2;

## **NOTES**

- Supply voltage of this product is 12-24 V DC, never connect to others.
- The wires should be correctly connected according to the wiring diagram.
- Do not install on flammable surfaces.
- Do not cover the power supply. Provide enough space for heat dissipations

## **TAKING CARE OF THE NATURAL ENVIRONMENT CLEANLINESS**



- The product and its components are not harmful to the environment
- Please dispose the package elements separately in containers for the corresponding material.
- Please dispose the broken product separately in containers for out of usage electrical equipment.